

## FOR MODELS

CCT9W200, CCT9W350, CCT9W500



### General

This driver is to be installed in accordance with Article 450 of the National Electric Code. The driver must be installed in a well-ventilated area free from explosive gases and vapors. Proper operation requires for free flow of air. This driver should only be installed by a qualified electrician.

### Precautions Before Installing

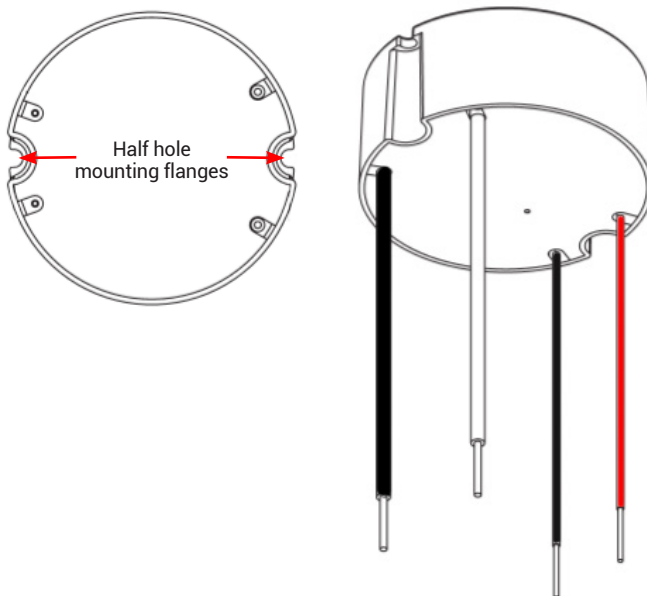
Check the label and ensure the driver has the proper input voltage and wattage for the job. Check the wire markings to ensure they match the wiring diagram on this installation guide.

### Quick Specs

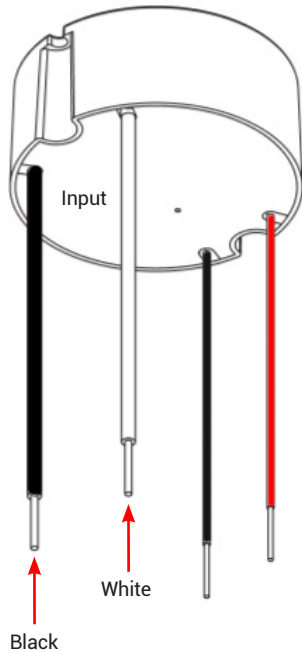
Input Voltage	120V AC
Max. Ambient Temp.	-20° C to 60° C (-4°F - 140°F)
Enclosure	IP21 - Indoor use only
Dimensions	Ø55 x 22mm (2.16 x 0.86")
Weight	82gr / 0.18 lbs

## Mounting

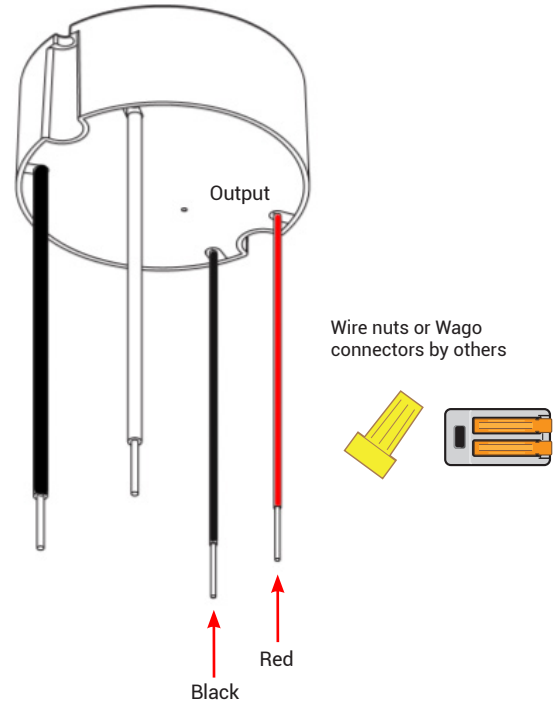
Select a suitable location capable of supporting the weight of the driver. Use the two key holes in the wire housing and third hold on the flange when mounting. It is recommended that the driver be mounted vertically with the wiring compartment pointing down. **Recommended spacing between drivers is XX".**



- 1 With power turned off, route input wires and connect one wire to black and one wire to white. For all wire connections use only UL listed wire nuts and connectors of suitable size and type.



- 2 **Output Connections**  
Bring the wires of the light fixture through the other clamp connector and connect them to the driver wires - positive to the red (+) wire and negative to black (-) wire.



## Wiring Diagram

### Dimming

Dimmable with any standard MLV / Incandescent TRIAC (Leading edge) dimmer switch. Dimmer switch is to be installed on the input (120VAC side) of the driver. For smooth dimming, 8W minimum load is required. Please visit our website for a full dimmer compatibility list [www.magnitudeinc.com](http://www.magnitudeinc.com)

