



**General**

This transformer is to be installed in accordance with Article 450 of the National Electric Code. The transformer must be installed in a well-ventilated area free from explosive gases and vapors. Proper operation requires for free flow of air. This driver should only be installed by a qualified electrician.

**Precautions Before Installing**

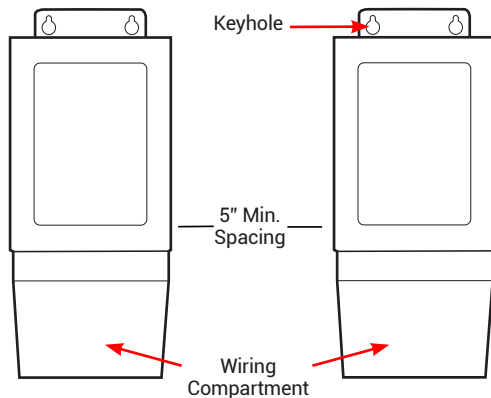
Check the label and ensure the driver has the proper input voltage and wattage for the job. Check the wire markings to ensure they match the wiring diagram on this installation guide.

**Quick Specs**

Input Voltage	120V AC
Output Voltage	12/24VAC
Max. Ambient Temp.	-30° C to 50° C (-22°F - 122°F)
Enclosure	Dry & Damp
Min. Installation Space Between Drivers	5" Inch

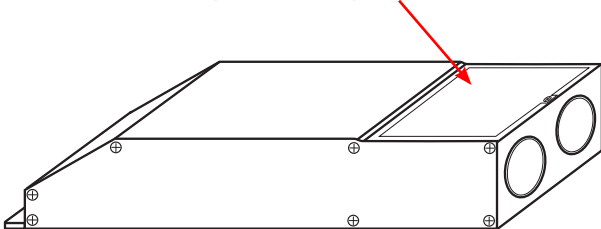
# Mounting

Select a suitable location capable of supporting the weight of the transformer. Use the key holes in the wire housing and third hold on the ange when mounting. It is recommended that the transformer be mounted vertically with the wiring compartment pointing down. Recommended spacing between drivers is 5".

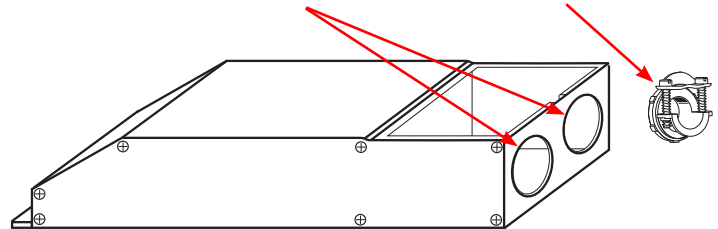


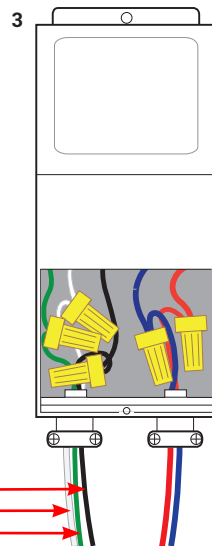
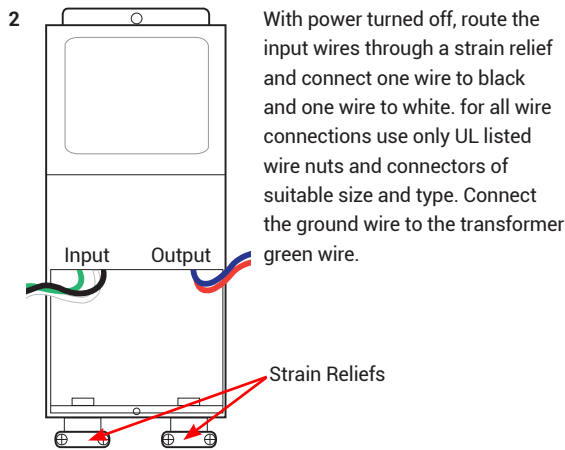
**1 Input Connections / Grounding**

Remove wire compartment cover plate.



Remove knockouts and install wire strain reliefs.





**4 Output Connections**

Bring the wires of the light fixture through the other clamp connector and connect them to the driver wires - positive to the (+) wire and negative to (-) wire. See diagrams below for wire color specifics. Measuring the output voltage without a load will result readings greater than the nominal voltage.

**The transformer case MUST be grounded in accordance with the N.E.C**

## Wiring Diagram

**Dimming**

Dimmable with any standard MLV / Incandescent TRIAC (Leading edge) dimmer switch. Dimmer switch is to be installed on the input (120VAC side) of the driver. For smooth dimming, 8W minimum load is required. Please visit our website for a full dimmer compatibility list [www.magnitudeinc.com](http://www.magnitudeinc.com)

**Boost-Tap**

The Orange Boost-Tap wire is an optional 10% voltage boost, which can compensate for voltage drop between the driver and the fixture. If the fixture is receiving 10.5V (21.5V for 24V fixtures) or less we recommend substituting the black wire for the orange boost-tap wire.

