

T-SERIES

INPUT: 120VAC
 50/60Hz

Specification Sheet



Constant Voltage Phase Dimmable DC Drivers

The T-SERIES™ is a multi-channel Class 2 magnetic dimmable LED driver and the perfect choice for multi-output needs in tape lighting, tube lighting, linear lighting and multiple other residential and commercial lighting applications. Encased in a high-quality metal enclosure that includes five 7/8" knockouts for easy installation, each unit is equipped with push-to-reset breakers, one on the input and one on each output, to protect both the driver and the LED load. All our magnetic LED drivers are phase dimmable with any standard leading edge MLV TRIAC dimmer.



The T-Series is available in 12 or 24VDC output and is a LISTED enclosure with junction box.

Installation: Integrated junction box with multiple 7/8" knockouts

Driver Type: Class 2 multi-channel

Dimming: Phase dimmable with leading (forward) edge MLV TRIAC dimmer only

Input Voltage: 120VACVAC, 50/60Hz

Output Voltage: 12VDC or 24VDC

Environmental: Dry and Damp

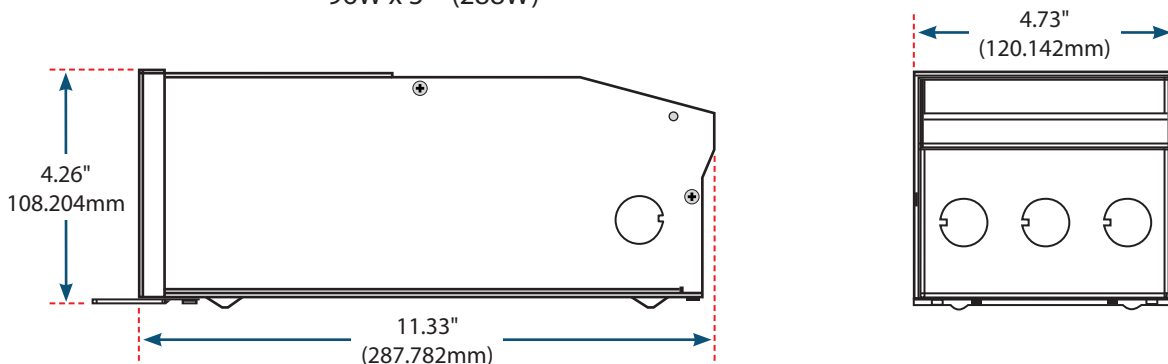


ORDERING GUIDE

TYPE	MAX POWER
T — T-SERIES	60W x 2 (120W)
	60W x 3 (180W)
	60W x 5 (300W)
	96W x 2 (192W)
	96W x 3 (288W)

PRODUCT SIZE INFO

DIMENSIONS	ALL WATTAGES
LENGTH	11.33"
WIDTH	4.73"
HEIGHT	4.26"



T-SERIES

INPUT: 120VAC
50/60Hz

Specification Sheet

Customer Service

Phone: (714) 312-5080

Fax: (714) 312-5070

E-mail: CustomerCare@magnitudeinc.com

SPECIFICATIONS

INPUT		
Input Voltage Range	120VAC \pm 5%	120VAC \pm 5%
Input Frequency	50/60Hz	50/60Hz
Input Current Maximum	8A	8A
Efficiency	84%	84%
OUTPUT		
Max Load	60W x 2 (120W) — 12VDC 60W x 3 (180W) — 12VDC 60W x 5 (300W) — 12VDC	96W x 2 (192W) — 24VDC 96W x 3 (288W) — 24VDC
Output Voltage @ Max Load	11.2VDC	23.3VDC
Output Current @ Max Load	4.7A	3.8A
Open Circuit Output Voltage	12.3VDC	24.4VDC
ENVIRONMENTAL		
Operating Temperature	\leq 60°C	\leq 60°C
Min. Installation Spacing	5"	5"
DIMMING		
Minimum Dimming Level	1%	1%
PROTECTION		
Circuit Breaker	Manual Reset	Manual Reset
MECHANICAL HOUSING		
Length	11.33" (287.782mm)	11.33" (287.782mm)
Width	4.73" (120.142mm)	4.73" (120.142mm)
Height	4.26" (108.204mm)	4.26" (108.204mm)
Weight	13.2 lbs.	13.2 lbs.
Housing Material	Coated Metal	Coated Metal
Housing Color	Black	Black
Junction Box	Yes	Yes
Mounting	Two-hole Flange Mount	Two-hole Flange Mount
APPROVAL MARKINGS		
Certificates / Approval Signs	ETL Listed; Conforms to UL1598 & UL2108	ETL Listed; Conforms to UL1598 & UL2108

T-SERIES

INPUT: 120VAC
50/60Hz

Specification Sheet

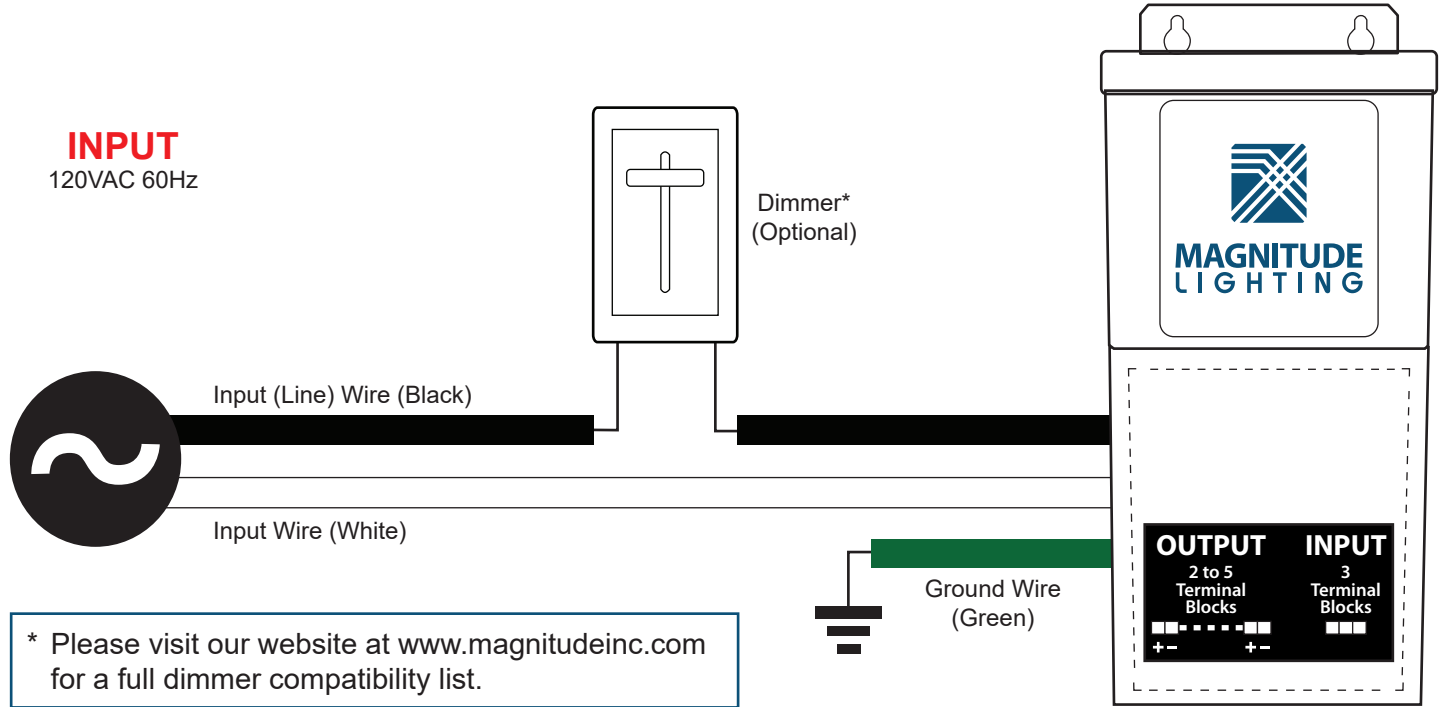
Customer Service

Phone: (714) 312-5080

Fax: (714) 312-5070

E-mail: CustomerCare@magnitudeinc.com

WIRING DIAGRAM



IMPORTANT

T288L24DC

If one channel is loaded to 96W, the other one or two channels must have a combined load of **NO LESS** than 48W.

Examples of suitable channel loading configurations:

96W	96W	96W
96W	48W	X
96W	Z	Z
< 96W	X	X

X = Any load or no load

Z = Must be $\geq 24W$