

# E-SERIES EZ96

Easy J-Box Installation  
 Constant Voltage LED Driver  
 Phase-Cut Dimmable

## Installation Guide

### BEFORE YOU BEGIN



#### General

This driver is to be installed in accordance with Article 450 of the National Electric Code (NEC). The driver must be installed in a well-ventilated area free from explosive gases and vapors. Since this driver is hardwired, it should only be installed by a qualified electrician.

#### Precautions Before Installation

Check the label and ensure the driver has the proper input voltage and wattage for the job. Check the wire markings to ensure they match the wiring diagram (below).

#### Output Connections

Connect the LED wires to the driver wires; positive (+) to the red wire and negative (-) to purple wire.

#### Quick Specs

Input Voltage	120VAC
Output Voltage	24VDC
Operating Temperature	-30°C to +40°C (-22°F to 104°F)
Location Usage	Indoor/Covered Outdoor
Dimensions (Inches)	3.6" x 2.5" x 0.9"

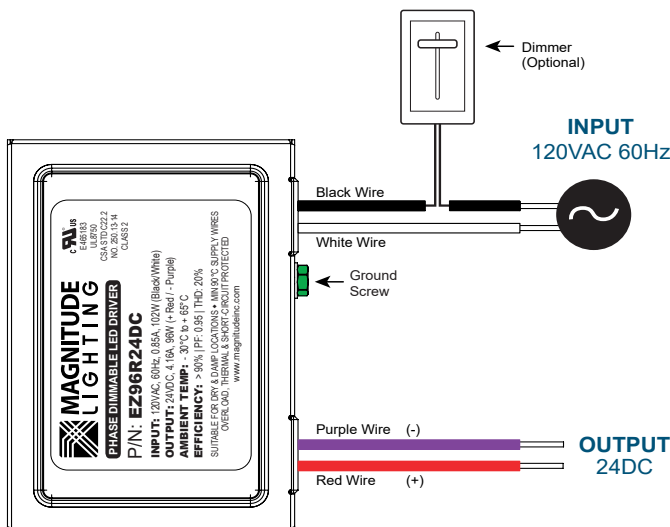
#### Dimming

Dimmable with any forward phase-cut TRIAC dimmer switch. Dimmer switch is to be installed on the Input (120VAC side) of the driver.

#### Important

Measuring the output voltage without a load will result in readings greater than the nominal voltage. 8W minimum load required.

## WIRING DIAGRAM



**Do not install PWM low voltage controllers on the output without consulting with Magnitude Lighting.**

# E-SERIES EZ96

Easy J-Box Installation  
Constant Voltage LED Driver  
Phase-Cut Dimmable

## Installation Guide

### Customer Service

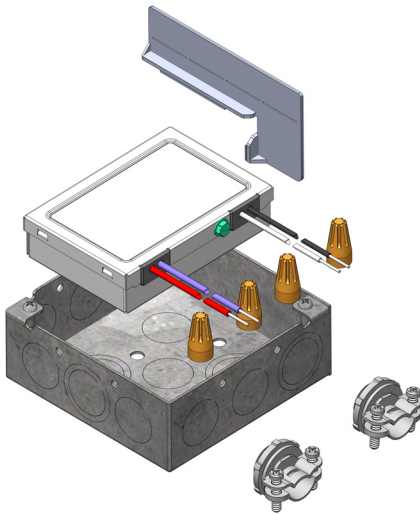
Phone: (714) 312-5080

Fax: (714) 312-5070

E-mail: [CustomerCare@magnitudeinc.com](mailto:CustomerCare@magnitudeinc.com)

## INSTALLATION OPTIONS & INSTRUCTIONS

### Installation Option 1 (Part #: EZ96R24DC-JBKIT, -LVD)



EZ96 Installation Kit Part List	
Description	Qty.
EZ96 Driver	1
Low-Voltage Divider with foam tape	1
4" square Junction Box*	1
4" square Junction Box lid*	1
wire connectors*	4
cable clamps*	2

\*Supplied by others for EZ96R24DC-LVD  
Note: Ground wire is not supplied.

**Note:** Driver and divider to be used with 4" square deep or shallow junction box.

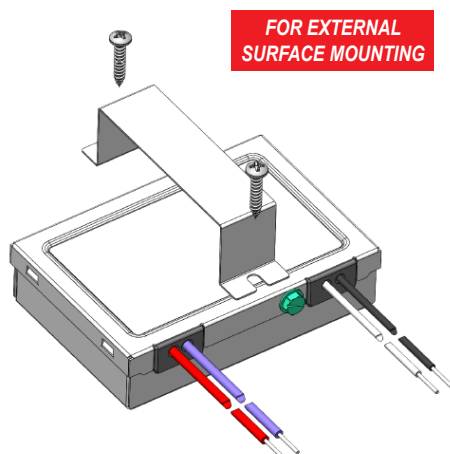
**Installation:** Place EZ96 driver into the junction box. Slide driver to allow the divider to fit into the enclosure. The divider has a tab that can be snapped off when using a shallow junction box. This divider is

required to keep the high and low voltage wiring separated.

Remove knockouts to feed the input, output wires and a ground wire through the junction box using wire clamps attached to the junction box. Attach the ground wire to the driver using the green grounding screw. Secure the lid if the junction box and mount in an appropriate location.

Connect the wires using UL-approved wire nuts or other UL-approved wire connectors.

### Installation Option 2 (Part #: EZ96R24DC-BKT)



EZ96 Installation Kit Part List	
Description	Qty.
EZ96 Driver	1
#8 one-inch screws	2
washer*	2
bracket	1

\*Not Shown  
Note: Ground wire is not supplied.

Driver, washers, screws and bracket are supplied with this kit option. This kit is used for mounting driver externally from junction box. Secure driver with supplied bracket and fasteners. Screws supplied by others can be used.