

JB-SERIES | SOLIDRIVE

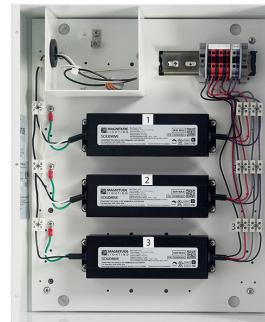
Constant Voltage Electronic

0-10V % Non-Dimmable LED Driver | Multi-Channel

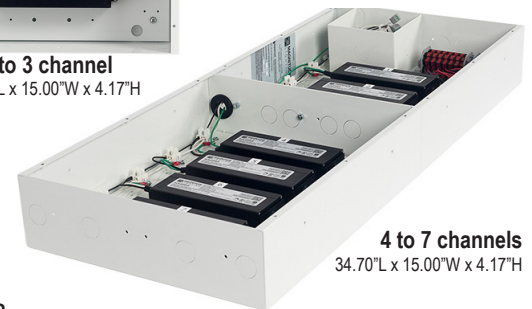
Specification Sheet

The JUNCTION BOX (JB) SERIES delivers a multi-channel, specification grade solution for select Magnitude Class 2, electronic LED drivers making it the perfect product for multioutput commercial lighting applications. Available in surface or plenum rated recessed mount, the high-quality metal junction box includes multiple 1 1/8" knock-outs and comes pre-wired for quick and easy installation. The JB-Series is constructed with a high voltage compartment and utilizes DIN rail terminal blocks to support independent channel outputs.

The JB-Series | SoliDrive uses Magnitude's SoliDrive electronic Class 2, 0-10V dimmable LED driver and is available in 2 to 7 channel configurations. The driver features hiccup mode, over current and short circuit protection as well as an efficiency over 84% resulting in low operating case temperature. The SoliDrive Series is dimmable down to 1% with a 0-10V dimmer and is also available in a non-dimmable version.



2 to 3 channel
 17.83"L x 15.00"W x 4.17"H



4 to 7 channels
 34.70"L x 15.00"W x 4.17"H

Installation: Integrated Junction Box with multiple 1 1/8" knockouts

Driver Type: Class 2 Multi-Channel

Dimming: 0-10V dimmable down to 1%; non-dimmable available

Input Voltage: Universal 120VAC to 277VAC, 50/60Hz

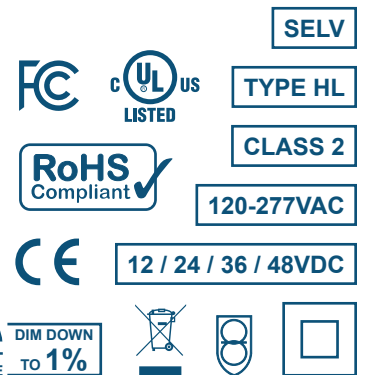
Output Voltage: 12VDC, 24VDC, 36VDC, or 48VDC

Environmental: Dry

Listing: UL Listed

Certifications: UL8750, UL2108 CSA C22.2 No. 250.0-08

Warranty: 5-Year



SoliDrive is also available in:

- SoliDrive UL with Junction Boxes
- SoliDrive UL without Junction Boxes
- EZJ SoliDrive

Please refer to magnitudeinc.com for more information.

ORDERING GUIDE

Type	Number of Channels	Driver Series	Dimming	Max Power Per Channel	Driver Type	Output	Mounting	Finish
JB-Series	2	SoliDrive	Non-Dimming	50W	UL Listed	12VDC	Recessed	White
	3			96W		24VDC	Surface	
	4		0-10V Dimmable	36VDC				
	5			48VDC				
	6							
	7							

SPECIFICATIONS

INPUT

Input Voltage Range	120 to 277VAC ± 10%	120 to 277VAC ± 10%	120 to 277VAC ± 10%	120 to 277VAC ± 10%
Input Frequency	50 / 60Hz	50 / 60Hz	50 / 60Hz	50 / 60Hz
Input Current	0.96A Max per Channel	0.96A Max per Channel	0.96A Max per Channel	0.96A Max per Channel
Efficiency	>80%	>84%	>84%	>84%
Power Factor	0.95	0.91	0.95	0.95

OUTPUT (PER CHANNEL)

Max Load	50W	96W	96W	96W
Output Voltage @ Max Load	12.0 VDC	24.0 VDC	36.0 VDC	48.0 VDC
Output Current @ Max Load	4.2A	4.1A	2.7A	2.0A

ENVIRONMENTAL

Operating Temperature	-30°C to +50°C (-22°F to 122°F)	-30°C to +50°C (-22°F to 122°F)	-30°C to +50°C (-22°F to 122°F)	-30°C to +50°C (-22°F to 122°F)
------------------------------	------------------------------------	------------------------------------	------------------------------------	------------------------------------

DIMMING

Minimum Dimming Level	1%	1%	1%	1%
------------------------------	----	----	----	----

PROTECTION

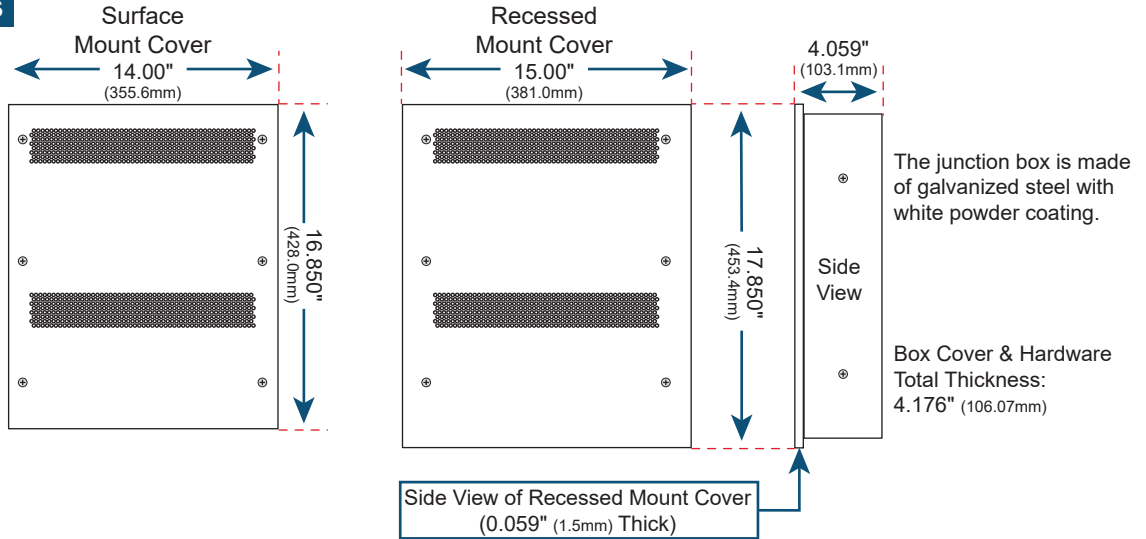
Circuit Breaker	Hiccup Mode Over Current Short Circuit	Hiccup Mode Over Current Short Circuit	Hiccup Mode Over Current Short Circuit	Hiccup Mode Over Current Short Circuit
------------------------	--	--	--	--

APPROVAL MARKINGS

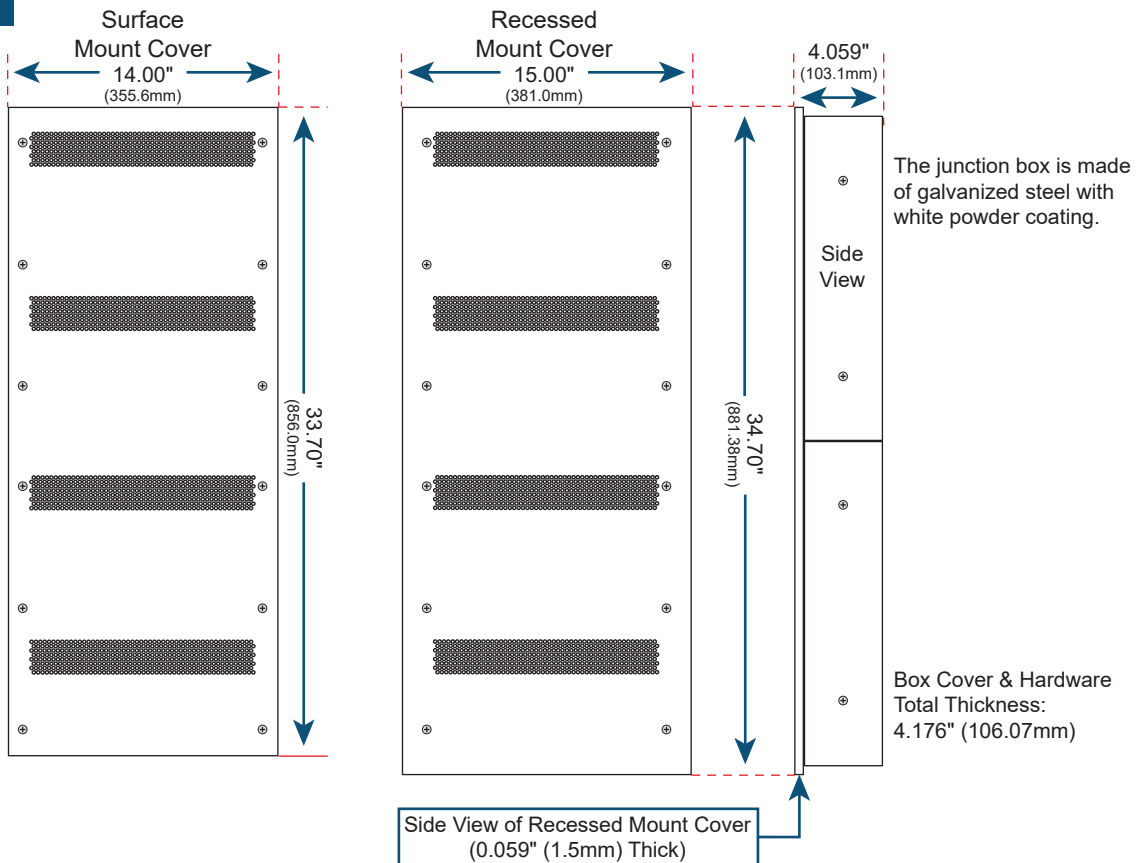
Certificates/Approval Sigms	UL8750 / UL2108	UL8750 / UL2108	UL8750 / UL2108	UL8750 / UL2108
------------------------------------	-----------------	-----------------	-----------------	-----------------

MECHANICAL DIAGRAMS

Up to 3 Channels

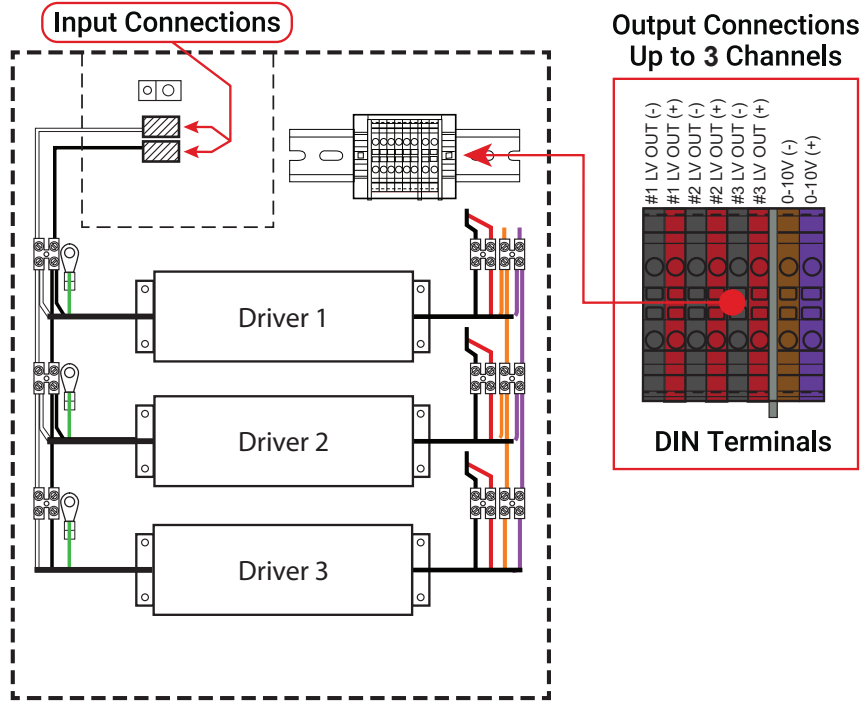


4 to 7 Channels



WIRING DIAGRAM

Up to 3 Channel Input/Output Connections



WIRING DIAGRAM

Up to 7 Channel Input/Output Connections

